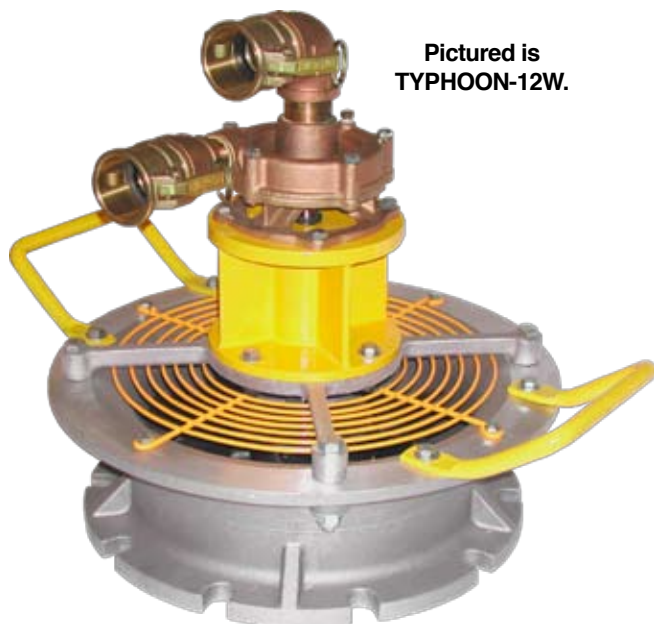
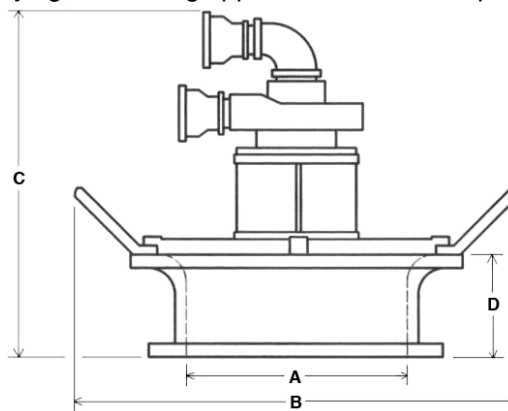


## No. TYPHOON; WATER, AIR, and HYDRAULIC DRIVEN VENTILATORS

The Typhoon-12W and Super Typhoon-15W Marine Blowers are designed for onboard marine application. With our standard Butterworth Cast Aluminum Mounting Housing, these rugged, reliable and efficient Marine Blowers are designed to operate on water (Typhoon-12W and Super Typhoon-15W). The high volume capacities of these blowers make it easy to handle gas freeing, ventilating, drying, or de-icing applications aboard ship. They are compact, lightweight and easy to handle.



**Pictured is  
TYPHOON-12W.**



	Typhoon-12W	Typhoon-12A	Typhoon-15W
A	12.25"	12.25"	15.25"
B	24"	24"	29.875"
C	18.25"	18.25"	18.75"
D	5.75"	5.75"	6.25"
Weight	65 lbs.	65 lbs.	85 lbs.

	TYPHOON-12W		SUPER TYPHOON-15W	
Rated Air Flow @ 0" Static Pressure	5000 CFM	8495 M <sup>3</sup> /HR	4700 CFM	7985 M <sup>3</sup> /HR
Rated Speed @ Free Delivery	5330 RPM		5330 RPM	
Maximum Speed	6100 RPM		5500 RPM	
Rated Motor Power Consumption	3.3 HP	2.46 KW	3.3 HP	3.3 HP
Maximum Inlet Water Pressure	150 PSIG	10.5 KG/CM <sup>2</sup>	150 PSIG	10.5 KG/CM <sup>2</sup>
Maximum Exhaust Water Pressure	100 PSIG	7.0 KG/CM <sup>2</sup>	100 PSIG	7 KG/CM <sup>2</sup>
Maximum Differential Water Pressure	50 PSIG	3.5 KG/CM <sup>2</sup>	150 PSIG	10.5 KG/CM <sup>2</sup>
Rated Water Consumption	63 GPM	14.3 M <sup>3</sup> /HR	87 GPM	19.76 M <sup>3</sup> /HR

### Special Features of Water Driven Ventilators:

- These units are designed specifically for marine applications.
- Cast aluminum main housing is flanged for tie-down on Butterworth hatches.
- Rugged cast aluminum spark resistant housing and motor mount
- Heavy duty stainless steel sealed ball bearings, lubricated and sealed for life.
- Stainless steel fan shaft eliminates internal rust problems.
- Spark resistant fan blade with OSHA safety screen
- Two carry handles
- Two 2" Bronze cam-lock fittings are supplied with water-driven units
- Quality construction & materials resulting in low maintenance.

**Also available to work on hydraulic oil (12H and Super 15H).**

**TYPHOON-12A produces 3120 CFM @ 100PSI**



**Pictured is  
TYPHOON-12A.**